

# Inhoudsopgave

Achteras & Handrem .....	25
Elektrische Delen .....	29
Frame .....	7
Grasvang Bak .....	9
Maaidek & Grasbuis .....	17
Maaidek met 3-Messen .....	35
Maaier Hef .....	23
Motor B&S 15.5HP & Aandrijving .....	13
Motor B&S 16HP & Aandrijving .....	11
Stickers .....	33
Stuur en Kappen & Tank .....	3
Vooras & Stuur Inrichting .....	25
Wielen .....	31

COMPOSIZIONE CODICE D'ORDINE

NUMERO DI MATRICOLA ALFANUMERICO DEL TELAIO + CODICE PARTICOLARE DI RICAMBIO

COMPOSITION OF THE ORDER CODE

ALPHANUMERICAL SERIAL NUMBER OF THE FRAME + CODE NUMBER OF THE SPARE PART

COMPOSITION DU CODE DE L'ORDRE

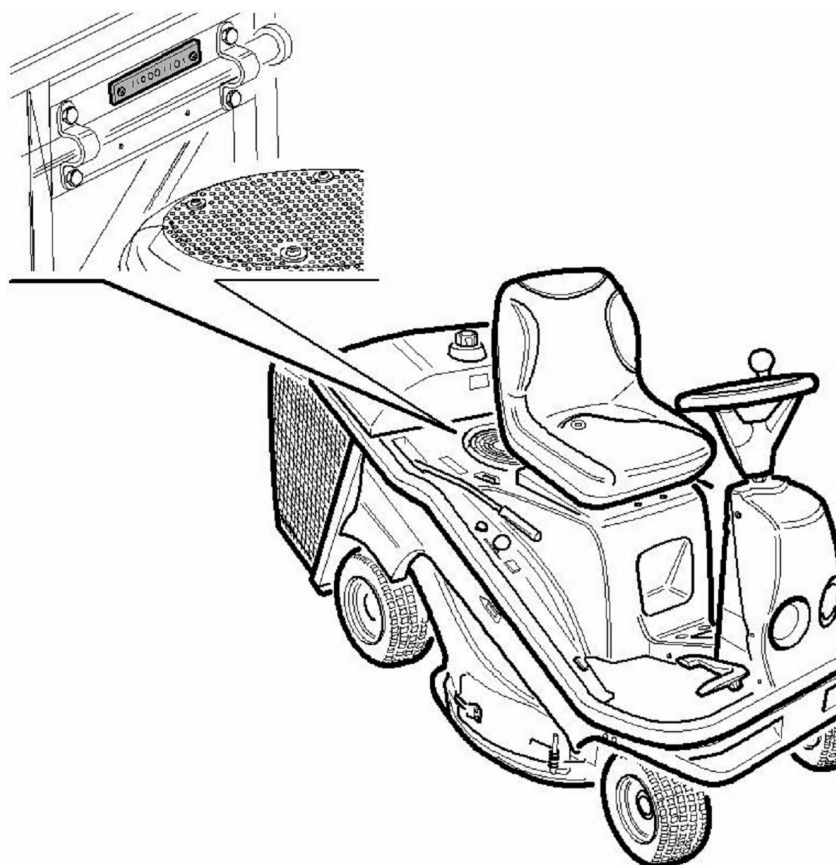
NUMÉRO DE SÉRIE ALPHANUMÉRIQUE DU CHÂSSIS + CODE AU PIÈCE DE RECHANGE

AUFBAU DES BESTELLKODI

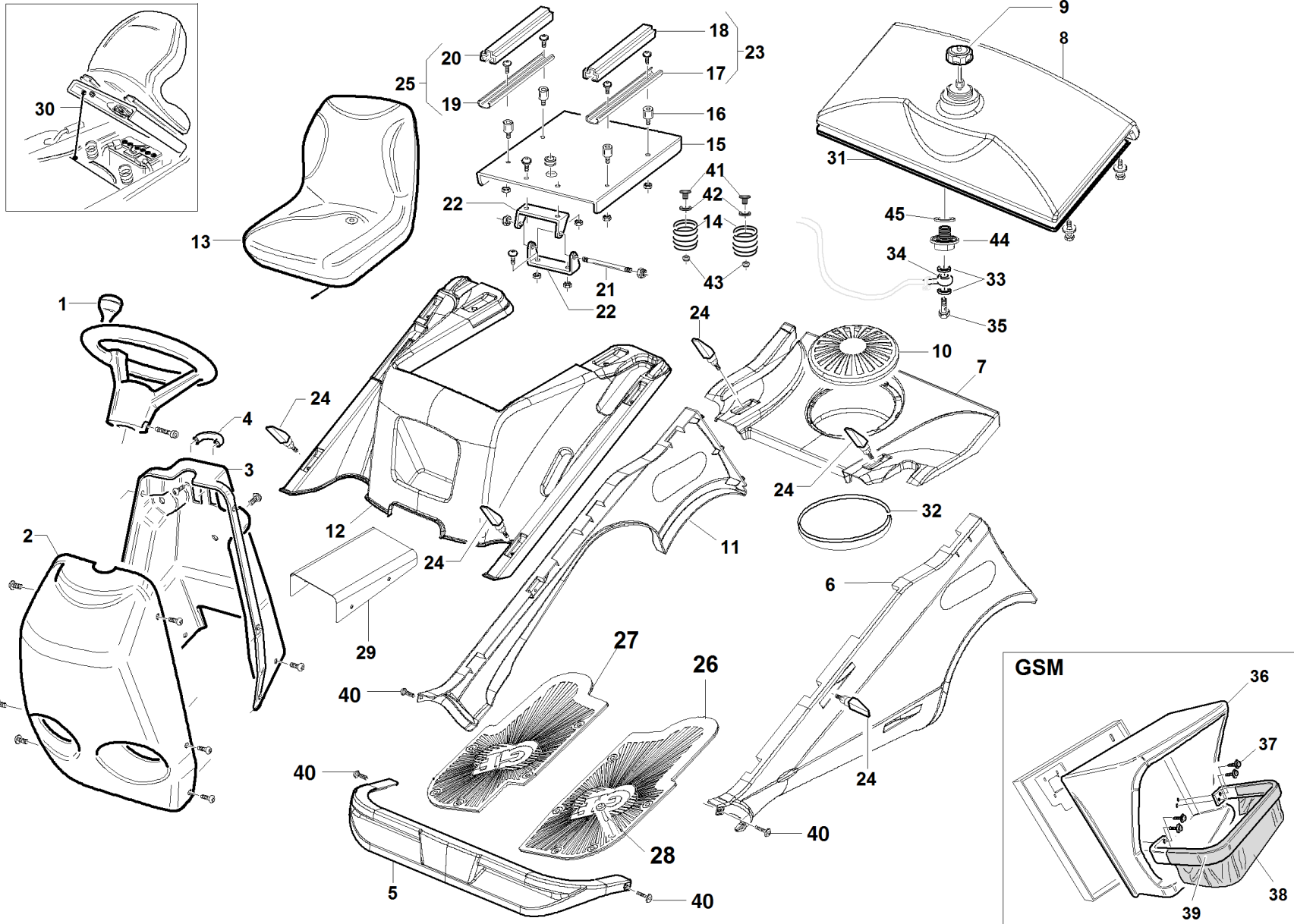
ALPHANUMERISCHE SERIENNUMMER DES GERÜSTES + HINWEIS AUF DAS C

99999999XXX

NUMERO DI MATRICOLA ALFANUMERICO DEL TELAIO  
ALPHANUMERICAL SERIAL NUMBER OF THE FRAME  
NUMÉRO DE SÉRIE ALPHANUMÉRIQUE DU CHÂSSIS  
ALPHANUMERISCHE SERIENNUMMER DES GERÜSTES



**GTM-GSM**

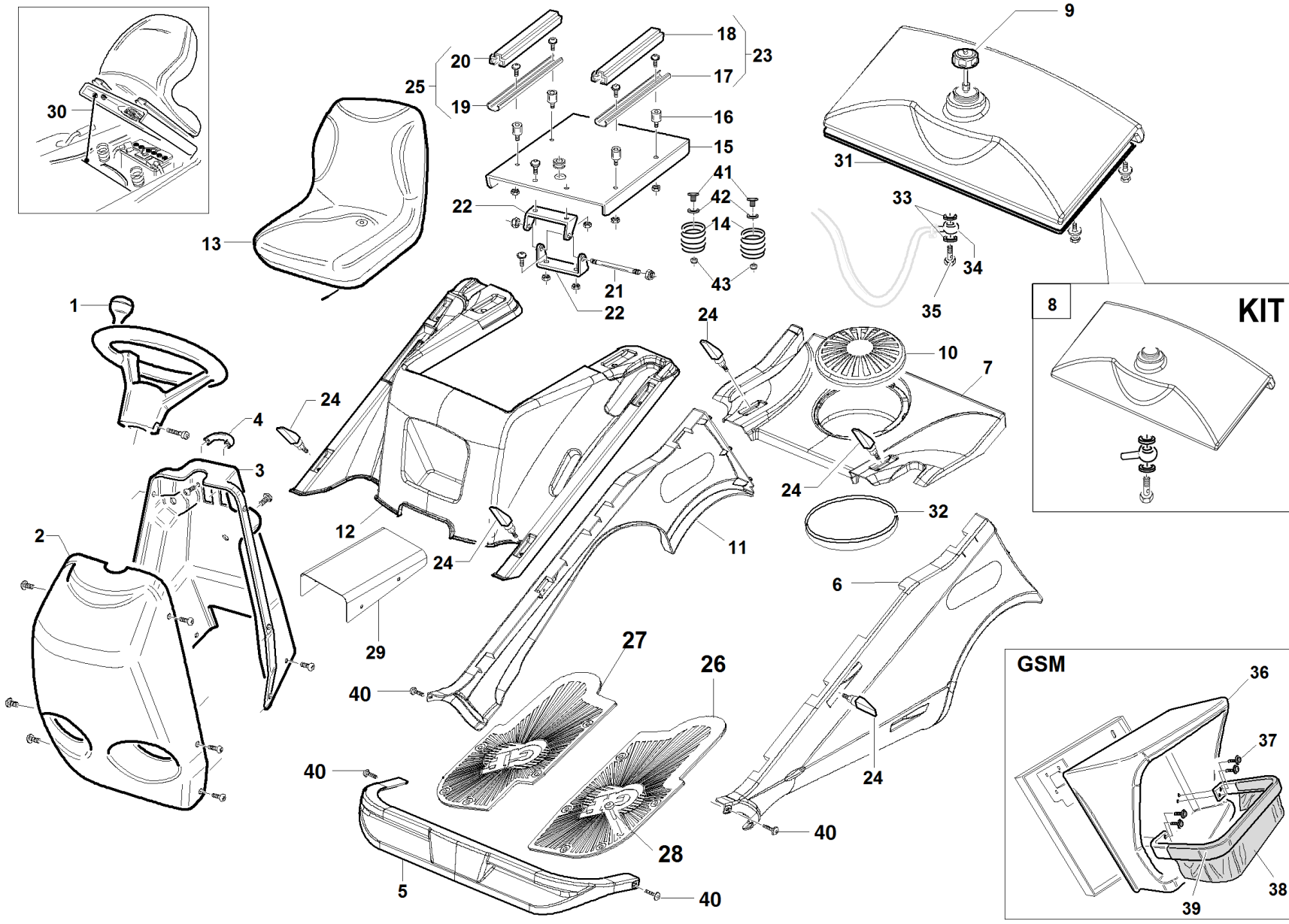


**S/N**  
→1211006

**REF.01 - 00555501715**

1	00111970209	STEERING WHEEL W/BUSHING		
2	89005110001	FRONT DASHBOARD RAL 1018		
3	89005110002	REAR DASHBOARD RAL 1018		
4	00111990088	WHITE HANDLE		
5	89001100005	GTM FRONT DASHBOARD		
6	89001101300	LEFT SIDE ASSEMBLED BODY		
7	89005111100			
8	89001110001	FUEL TANK		
9	00111970199	TANK PLUG WITH LEVEL		
10	00111970153	ENGINE-EXHAUST GRID		
11	89001101200	RIGHT SIDE ASSEMBLED BODY		
12	89005111000	CENTRAL BODY		
13	00777850035	GTM SEAT		
14	89001000045	SPRING. De=38.1 L=75 FILO=4.8 ZNT		
15	89001000033	SEAT SUPPORT		
16	92002100006	SPACER Ø12X20 H=18.3 ZNT		
17	00777850026			
18	00777850036	UPPER RIGHT SEAT GUIDE		
19	00777850025			
20	00777850037	UPPER LEFT SEAT GUIDE		
21	94500000066	HOOD HINGE PIN		
22	95500000003	SEAT SUPPORT HINGE		
23	00777850038	SEAT RIGHT GUIDE PAIR		
24	00111970196	FASTENING DEVICE		
25	00777850039	SEAT LEFT GUIDE PAIR		
26	89001000005	LEFT FOOTBOARD		
27	89001000004	RIGHT FOOTBOARD		
28	00111970169	CLOSER PLUG D. 10.5		
29	89005000002			
30	89001000050	CABLE		
31	00555300005	AIR STOP 20X5 301F		
32	95599000087			
33	00777600001	WASHER COPPER 1/4		
34	00777600183	METAL EYELET 1/4		
35	00777600040	SIMPLE CABLE BOLT		
36	88001000001			
37	00111450025			
38	88001000021			
39	88001130000			
40	00111450014	SCREW FR M6X12		
41	00111000076	SCREW TE M10X25		
42	00111000015	WASHER D.10,5X21X2		
43	00111250004	SELF LOCKING NUT M10 UNI 7473		
44	87001000068	ADAPTER M3/8		
45	00777230025	GASKET		

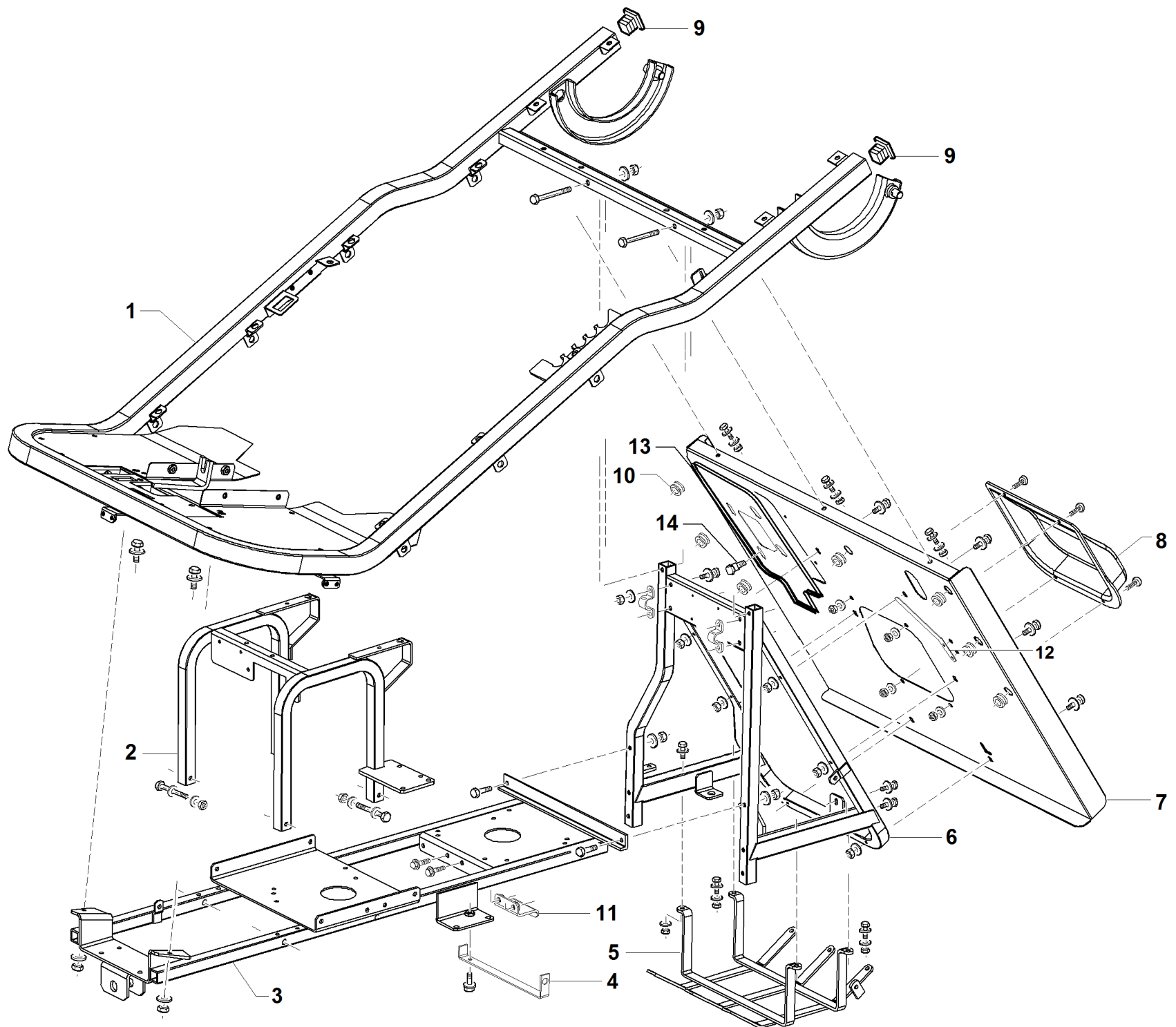
**GTM-GSM**



**S/N**  
 → 0911131 ÷ 1211005 ←

**REF.01 - 00555501713**

#	P/N	DESCRIPTION	GTM-GSM	REF. 01 - 00555501713
1	00111970209	STEERING WHEEL W/BUSHING		
2	89005110001	FRONT DASHBOARD RAL 1018		
3	89005110002	REAR DASHBOARD RAL 1018		
4	00111990088	WHITE HANDLE		
5	89001100005	GTM FRONT DASHBOARD		
6	89001101300	LEFT SIDE ASSEMBLED BODY		
7	89005111100			
8	95598520000	GTM TANK SPARE PARTS KIT		
9	00111970199	TANK PLUG WITH LEVEL		
10	00111970153	ENGINE-EXHAUST GRID		
11	89001101200	RIGHT SIDE ASSEMBLED BODY		
12	89005111000	CENTRAL BODY		
13	00777850035	GTM SEAT		
14	89001000045	SPRING. De=38.1 L=75 FILO=4.8 ZNT		
15	89001000033	SEAT SUPPORT		
16	92002100006	SPACER Ø12X20 H=18.3 ZNT		
17	00777850026			
18	00777850036	UPPER RIGHT SEAT GUIDE		
19	00777850025			
20	00777850037	UPPER LEFT SEAT GUIDE		
21	94500000066	HOOD HINGE PIN		
22	95500000003	SEAT SUPPORT HINGE		
23	00777850038	SEAT RIGHT GUIDE PAIR		
24	00111970196	FASTENING DEVICE		
25	00777850039	SEAT LEFT GUIDE PAIR		
26	89001000005	LEFT FOOTBOARD		
27	89001000004	RIGHT FOOTBOARD		
28	00111970169	CLOSER PLUG D. 10.5		
29	89005000002			
30	89001000050	CABLE		
31	00555300005	AIR STOP 20X5 301F		
32	95599000087			
33	00777600003	WASHER COPPER 3/8		
34	00777600142	METAL EYELET 3/8-1/4		
35	00777600041	EMPTY SCREW 3/8		
36	88001000001			
37	00111450025			
38	88001000021			
39	88001130000			
40	00111450014	SCREW FR M6X12		
41	00111000076	SCREW TE M10X25		
42	00111000015	WASHER D.10,5X21X2		
43	00111250004	SELF LOCKING NUT M10 UNI 7473		



#

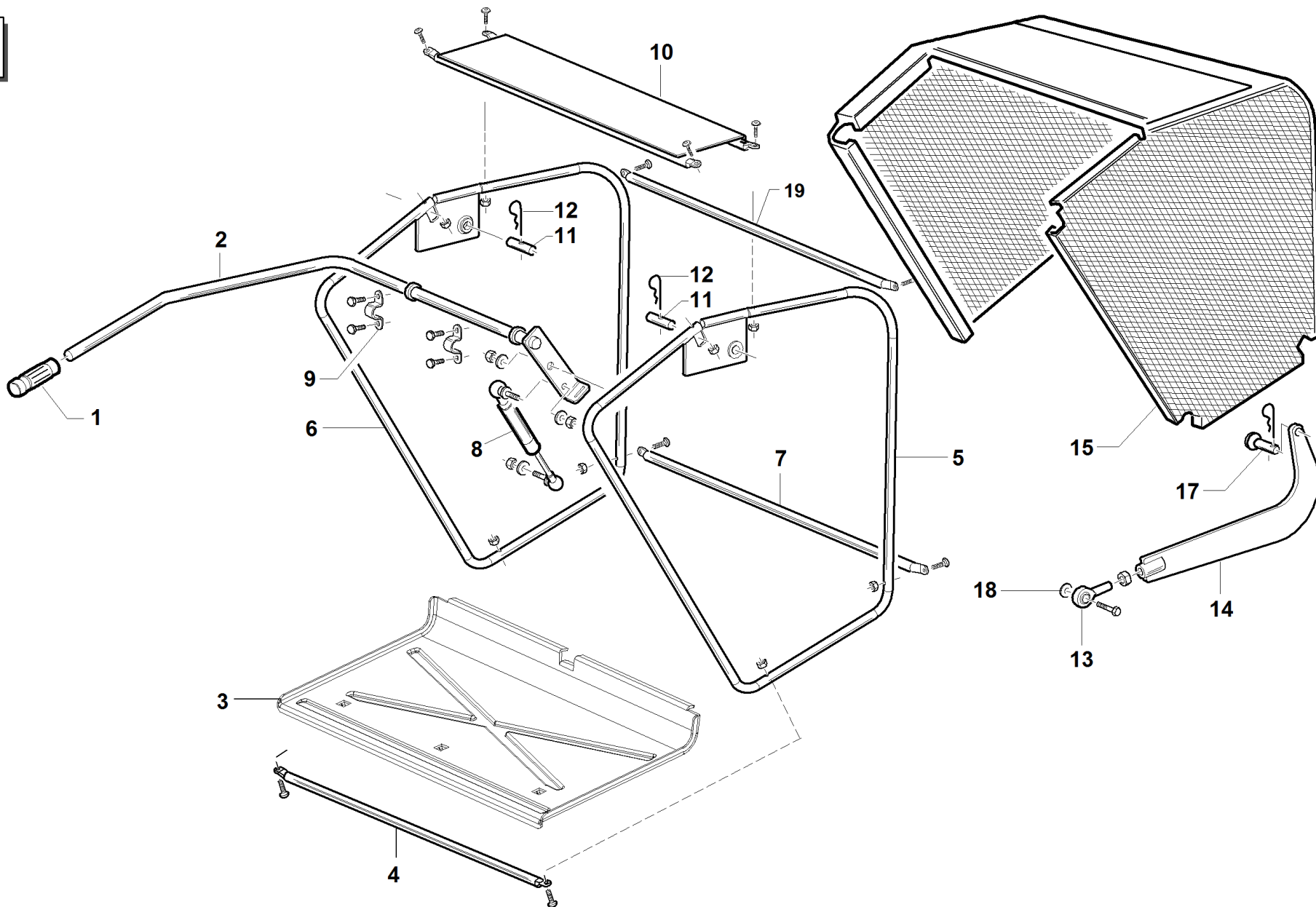
P/N

DESCRIPTION

GTM

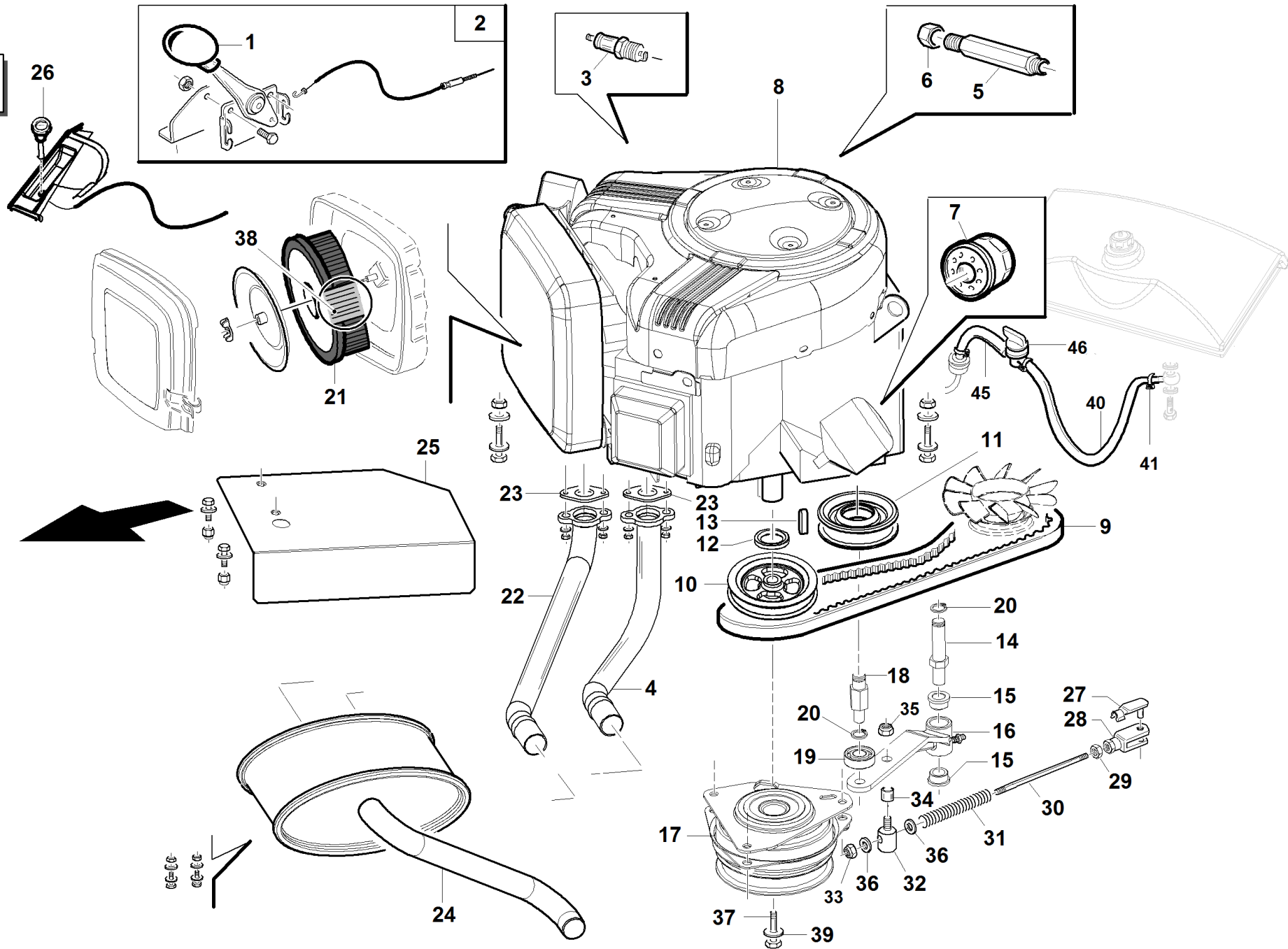
1	89005120000	EXTERNAL FRAME	
2	89001310000	SEAT SUPPORT	
3	89001260000	FRONT INTERNAL FRAME	
4	89001000031	LEFT BODY SUPPORT	
5	89001300000	TRANSAXLE PROTECTION	
6	89001270000	REAR INTERNAL FRAME	
7	89001000024	REAR CLOSER PLATE	
8	89001000056	REAR COVER	
9	00111970206	SQUARE PLUG 40x40	
10	00111970204	CABLE HOLDER D.I. 14 (81320)	
11	89001360000	CLUTCH LOCK	
12	89001000044	HOPPER MICRO SPRING	
13	89001000038	SLIDING BULKHEAD	
14	89001000022	BUMPER PIN	



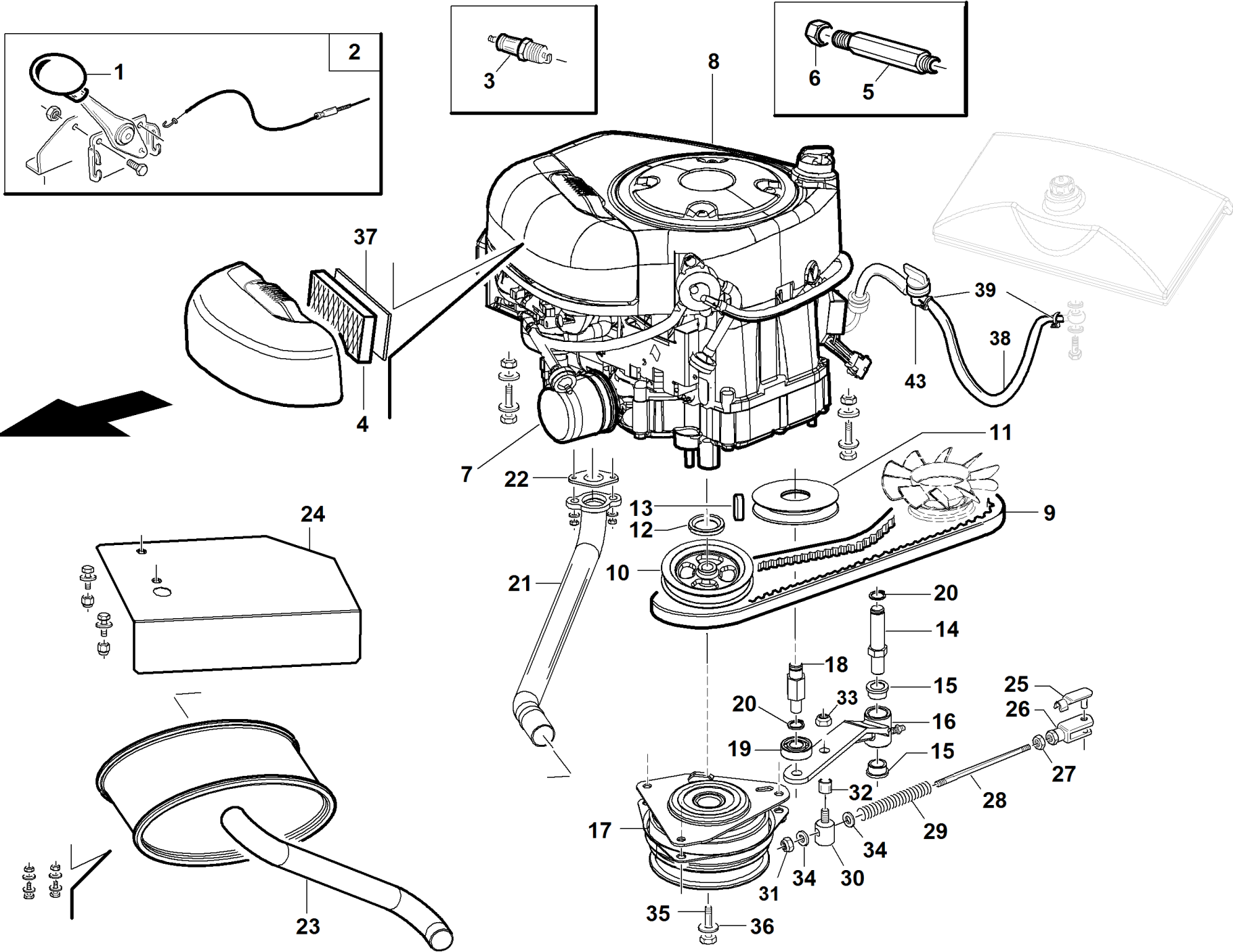


#	P/N	DESCRIPTION	GTM
1	00111970205	HANDGRIP	
2	89001560000		
3	89001000032	HOPPER COVER	
4	89001150001	COLLECTOR CROSS TUBE	
5	89001460000	LEFT SIDE COLLECOTR FRAME	
6	89001470000	RIGHT SIDE COLLECOTR FRAME	
7	89001000009	REAR CROSS ARM	
8	00111990126	GAS SPRING STABILUS 083631 F=700 N	
9	89001000003	BRACKET	
10	89001150000	CROSS ARM	
11	89001000020	COLLECTOR ROTATION PIN	
12	00111000175	""R"" SPLIT PIN D.4 UNI 8833"	
13	00777200016	BIG END OF THE CONNECTING ROD TM14	
14	89001520000	HOPPER DISCHARGE ROD	
15	89005000001	GTM BLACK HOPPER GRID	
17	89001000035	TIE ROD PIN	
18	89001000046	SPACER Ø14XØ20X5	
19	89001000007	LOWER CROSS ARM	

**GTM - B&S 16 HP**



1	00111610004	BLACK ACCELERATOR LEVER		
2	94500860000	THROTTLE LEVER WITH CABLE		
3	00777750001	SPARK PLUG 491055		
4	89001510003	SX EXHAUST COLLECTOR		
5	89001000048	OIL RELIEF EXTENSION		
6	00777600170	ROTATING CAP 3/8		
7	00777650001	OIL FILTER 9/18 HP		
8	00777700032	B&S 16HP TWIN-CYLINDER ENGINE		
9	00111980036	BELT GATES XPA 1060		
10	89001000010	ENGINE PULLEY		
11	94500000011	HYDROSTATIC TIGHTENER		
12	89001000016	SPACER Ø40xØ25.4x5.25 ZNT		
13	00111900023	TONGUE 1/4X1/4X42		
14	94500000018	THIGHTENER PIN		
15	95001000060	BRASS BUSHING		
16	94500190000	TIGHTENER BELT LEVER		
17	00777803300	OGURA ELECTRIC CLUTCH		
18	95311110001	TIGHTENER PIN		
19	00777100005	KOYO BEARING 6202 2RS		
20	00111650004	SNAP RING D.15 E		
21	00777650003	B&S 16HP PRE-FILTER		
22	89001510002	DX EXHAUST COLLECTOR		
23	00111990009	EXHAUST GASKET		
24	89001510001	EXHAUST		
25	89001490000	EXHAUST PROTECTION COMPL.		
26	92001000029	STARTER CABLE		
27	00777180001	FORKED PIN D.8		
28	00777180002	FORK IN M8		
29	00111000082	NUT M8		
30	89001000036	LEVER STAFF BELT TIGHTENER		
31	89001000042	SPRING De=12.5 L=50 FILO=1.1		
32	94010820000	SPRING TENSION DRILL ROD		
33	00111000071	SELF LOCKING NUT M8 UNI 7473		
34	00111530009	BUSHING FRIMET Ø10X7 TFF1007		
35	00111000080	SELF LOCKING NUT M10 UNI 7474		
36	00111000087	WASHER P.8,4X15.6X1,5		
37	00111300056	SCREW TE 7/16-20 L=60		
38	00777650002	AIR FILTER CARTRIDGE		
39	89001000017	CLUTCH FIXING WASHER		
40	89003000001			
41	00111810010	CLAMP 10-16 TYPE NORMA		
45	89003000002			
46	00111970203	FUEL TAP		



#

P/N

DESCRIPTION

GTM - B&amp;S 15,5 HP

REF. 05 - 00555501705

1	00111610004	BLACK ACCELERATOR LEVER
2	94500860000	THROTTLE LEVER WITH CABLE
3	00777750001	SPARK PLUG 491055
4	95599000064	B&S 15,5 HP AIR FILTER
5	89001000048	OIL RELIEF EXTENSION
6	00777600170	ROTATING CAP 3/8
7	00777650001	OIL FILTER 9/18 HP
8	00777700035	B&S 15HP ENGINE
9	00111980036	BELT GATES XPA 1060
10	89001000010	ENGINE PULLEY
11	94500000011	HYDROSTATIC TIGHTENER
12	89001000016	SPACER Ø40xØ25.4x5.25 ZNT
13	00111900023	TONGUE 1/4X1/4X42
14	94500000018	THIGHTENER PIN
15	95001000060	BRASS BUSHING
16	94500190000	TIGHTENER BELT LEVER
17	00777803300	OGURA ELECTRIC CLUTCH
18	95311110001	TIGHTENER PIN
19	00777100005	KOYO BEARING 6202 2RS
20	00111650004	SNAP RING D.15 E
21	89002100001	EXHAUST COLLECTOR
22	00111990136	
23	89002100002	EXHAUST
24	89001490000	EXHAUST PROTECTION COMPL.
25	00777180001	FORKED PIN D.8
26	00777180002	FORK IN M8
27	00111000082	NUT M8
28	89001000036	LEVER STAFF BELT TIGHTENER
29	89001000042	SPRING De=12.5 L=50 FILO=1.1
30	94010820000	SPRING TENSION DRILL ROD
31	00111000071	SELF LOCKING NUT M8 UNI 7473
32	00111530009	BUSHING FRIMET Ø10X7 TFF1007
33	00111000080	SELF LOCKING NUT M10 UNI 7474
34	00111000087	WASHER P.8,4X15.6X1,5
35	00111300056	SCREW TE 7/16-20 L=60
36	89001000017	CLUTCH FIXING WASHER
37	95599000069	PRE AIR FILTER B&S 15,5 HP
38	89002000001	
39	00111810010	CLAMP 10-16 TYPE NORMA
40	00777600041	EMPTY SCREW 3/8
43	89001000010	ENGINE PULLEY



**#**

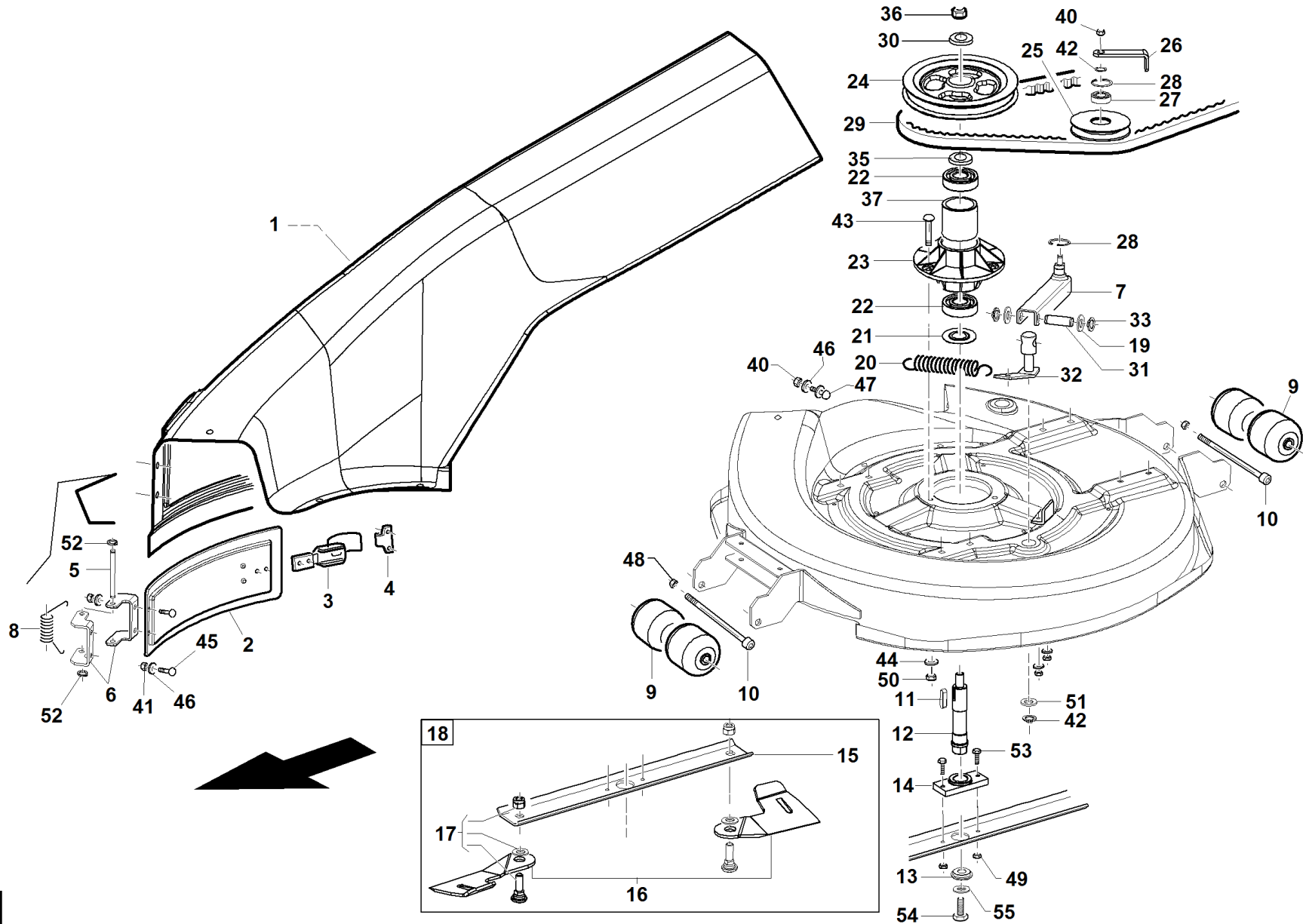
**P/N**

**DESCRIPTION**

**REF. 06**

#	P/N	DESCRIPTION	REF. 06

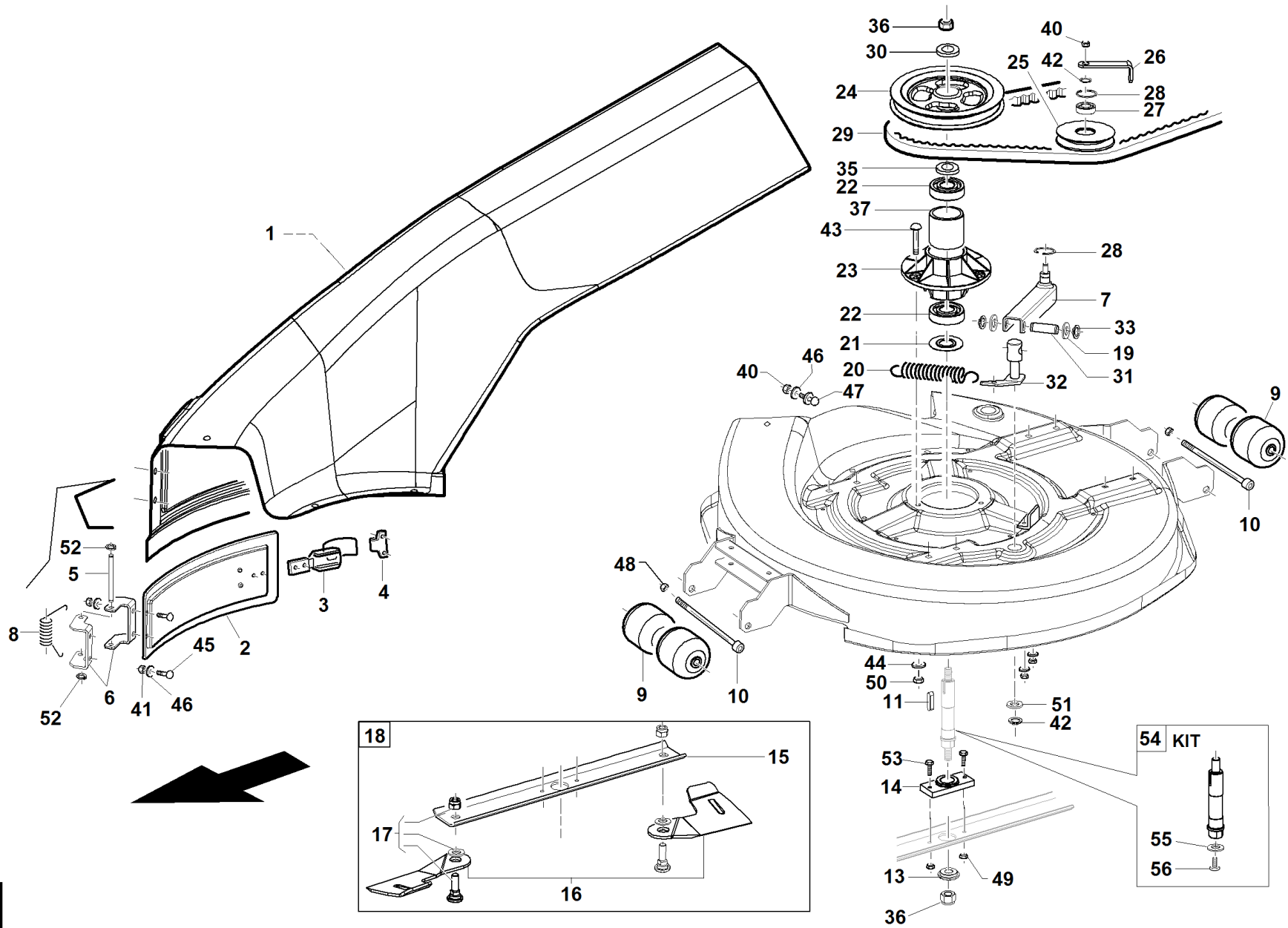




**S/N**  
→1401001

**REF.06 - 00555501716**

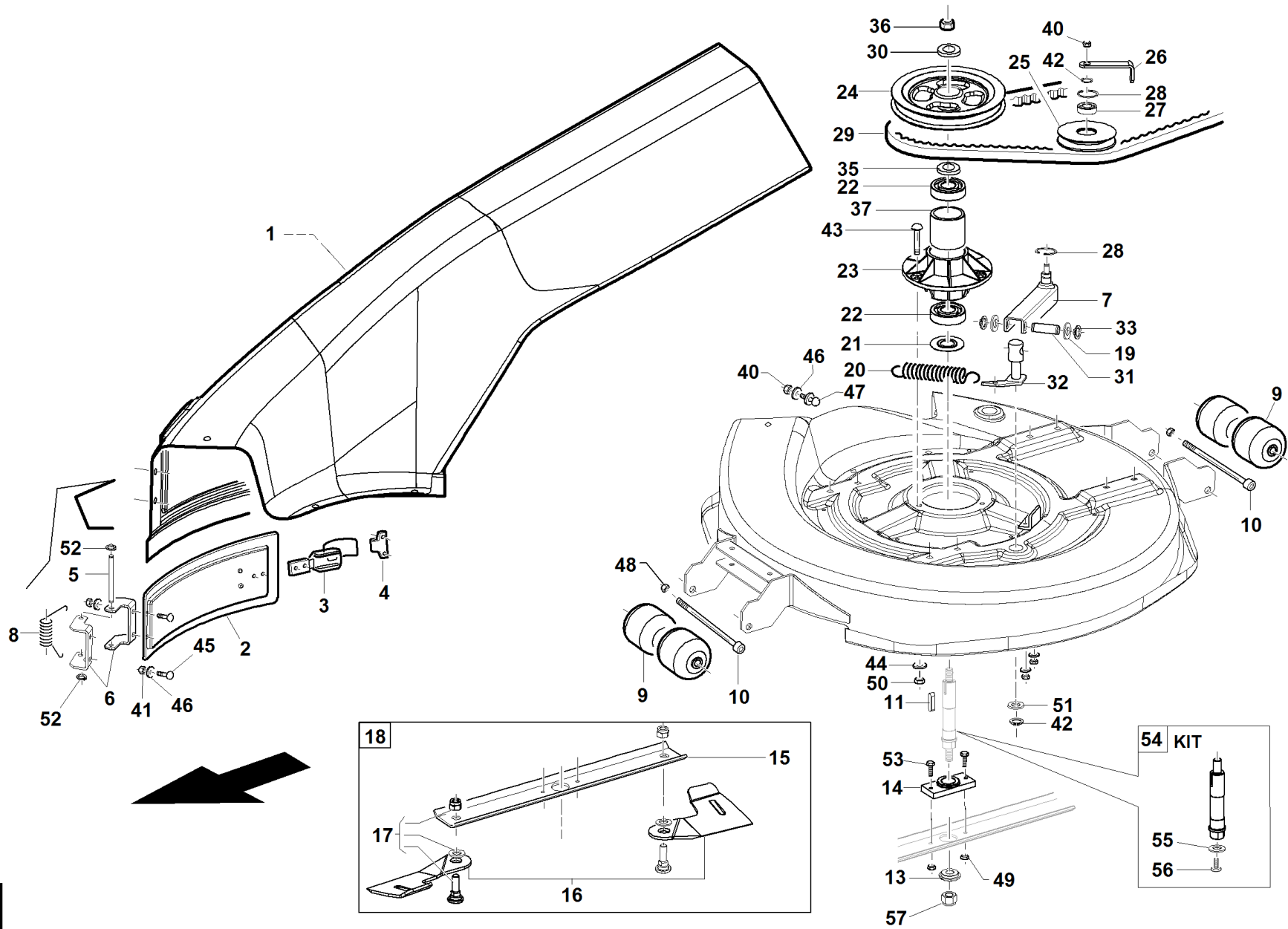
#	P/N	DESCRIPTION	GTM
1	89001110002	TUNNEL	
2	89001410001	TUNNEL DOOR	
3	00111990128	RELEASE CLOSER	
4	00111990129	CLOSER BLOCK	
5	89001220012	TUNNEL DOOR PIN	
6	89001220011	TUNNEL DOOR HING	
7	89001380000	TIGHTENER SUPPORT	
8	89001000043	DOOR SPRING	
9	00111970082	NO SCALPING WHEEL	
10	00111300093	SCREW M12X200 8.8	
11	00111900001	KEY A 6X6X25 UNI 6604	
12	89001220004	BLADE SUPPORT SHAFT	
13	89001220010	BLADE BLOCK WASHER	
14	89001220015	BLADE SUPPORT HUB	
15	89001220013	BLADES PAINTED SUPPORT	
16	91100200000	COUPLE LEFT REENTERING BLADE L=175	
17	95598440000	GTM BLADE SCREW	
18	95598450000	GTM BLADES KIT (FOR SPARE PARTS USE)	
19	00111500004	WASHER 15,2X28X2.5 UNI 6592TE	
20	95001000054	BRAKE RECOVERY SPRING	
21	89001220002	BEARING PROTECTION DISC	
22	00777100007	KOYO BEARING 6305 2RS	
23	89001000006	BLADE SUPPORT	
24	89001000011	PULLEY	
25	92001000016	BELT TIGHTENER	
26	89001220001	BELT ANGULAR	
27	00777100032	KOYO BEARING 6003 2RS 17X35X10	
28	00111650005	SNAP RING D.35 I	
29	00111980041	"BELT ""OPTIBELT"" SPA 1232 SK"	
30	95097000002	SPACER 14,5X32X4	
31	89001220005	ROTATION PIN FOR TIGHTENER	
32	89001370000	TIGHTENER ROTATION BRACKET	
33	00111650014	SNAP RING D.17 E	
34	00111530006	BUSHING 15X17X12	
35	89001220016	SPACER Ø35XØ25.2X10	
36	00111000077	SELF BLO. SCREW M14	
37	89001220003	SPACER Ø35xØ26x47 ZNT	
40	00111000071	SELF LOCKING NUT M8 UNI 7473	
41	00111000061	WASHER 8.4X24X2	
42	00111650036	SNAP RING E X Ø15	
43	00111340006		
44	00111000087	WASHER P.8,4X15.6X1,5	
45	00111450020	SCREW M8 X 16	
46	00111000061	WASHER 8.4X24X2	
47	00111340005		
48	00111250008	SELF LOCKING NUT M12 UNI 7473	
49	00111000166	SELF LOCKING NUT M6 UNI 7473	
50	00111000071	SELF LOCKING NUT M8 UNI 7473	
51	00111500004	WASHER 15,2X28X2.5 UNI 6592TE	
52	00111650007	SNAP RING D.8 E	
53	00111000137	SCREW TE M6X25	
54	00111000121	SCREW TE M14X1,5X3 SX	
55	00111050008	SPRING WASHER Ø40XØ14.2X2	



**S/N**  
 → 0912058 ÷ 1303013 ←

**REF.06 - 00555501718**

#	P/N	DESCRIPTION	GTM
1	89001110002	TUNNEL	
2	89001410001	TUNNEL DOOR	
3	00111990128	RELEASE CLOSER	
4	00111990129	CLOSER BLOCK	
5	89001220012	TUNNEL DOOR PIN	
6	89001220011	TUNNEL DOOR HING	
7	89001380000	TIGHTENER SUPPORT	
8	89001000043	DOOR SPRING	
9	00111970082	NO SCALPING WHEEL	
10	00111300093	SCREW M12X200 8.8	
11	00111900001	KEY A 6X6X25 UNI 6604	
13	89001220010	BLADE BLOCK WASHER	
14	89001220015	BLADE SUPPORT HUB	
15	89001220013	BLADES PAINTED SUPPORT	
16	91100200000	COUPLE LEFT REENTERING BLADE L=175	
17	95598440000	GTM BLADE SCREW	
18	95598450000	GTM BLADES KIT (FOR SPARE PARTS USE)	
19	00111500004	WASHER 15,2X28X2.5 UNI 6592TE	
20	95001000054	BRAKE RECOVERY SPRING	
21	89001220002	BEARING PROTECTION DISC	
22	00777100007	KOYO BEARING 6305 2RS	
23	89001000006	BLADE SUPPORT	
24	89001000011	PULLEY	
25	92001000016	BELT TIGHTENER	
26	89001220001	BELT ANGULAR	
27	00777100032	KOYO BEARING 6003 2RS 17X35X10	
28	00111650005	SNAP RING D.35 I	
29	00111980041	"BELT ""OPTIBELT"" SPA 1232 SK"	
30	95097000002	SPACER 14,5X32X4	
31	89001220005	ROTATION PIN FOR TIGHTENER	
32	89001370000	TIGHTENER ROTATION BRACKET	
33	00111650014	SNAP RING D.17 E	
34	00111530006	BUSHING 15X17X12	
35	89001220016	SPACER Ø35XØ25.2X10	
36	00111000077	SELF BLO. SCREW M14	
37	89001220003	SPACER Ø35xØ26x47 ZNT	
40	00111000071	SELF LOCKING NUT M8 UNI 7473	
41	00111000061	WASHER 8.4X24X2	
42	00111650036	SNAP RING E X Ø15	
43	00111340006		
44	00111000087	WASHER P.8,4X15.6X1,5	
45	00111450020	SCREW M8 X 16	
46	00111000061	WASHER 8.4X24X2	
47	00111340005		
48	00111250008	SELF LOCKING NUT M12 UNI 7473	
49	00111000166	SELF LOCKING NUT M6 UNI 7473	
50	00111000071	SELF LOCKING NUT M8 UNI 7473	
51	00111500004	WASHER 15,2X28X2.5 UNI 6592TE	
52	00111650007	SNAP RING D.8 E	
53	00111000137	SCREW TE M6X25	
54	95597020000		
55	00111050008	SPRING WASHER Ø40XØ14.2X2	
56	00111000121	SCREW TE M14X1,5X3 SX	



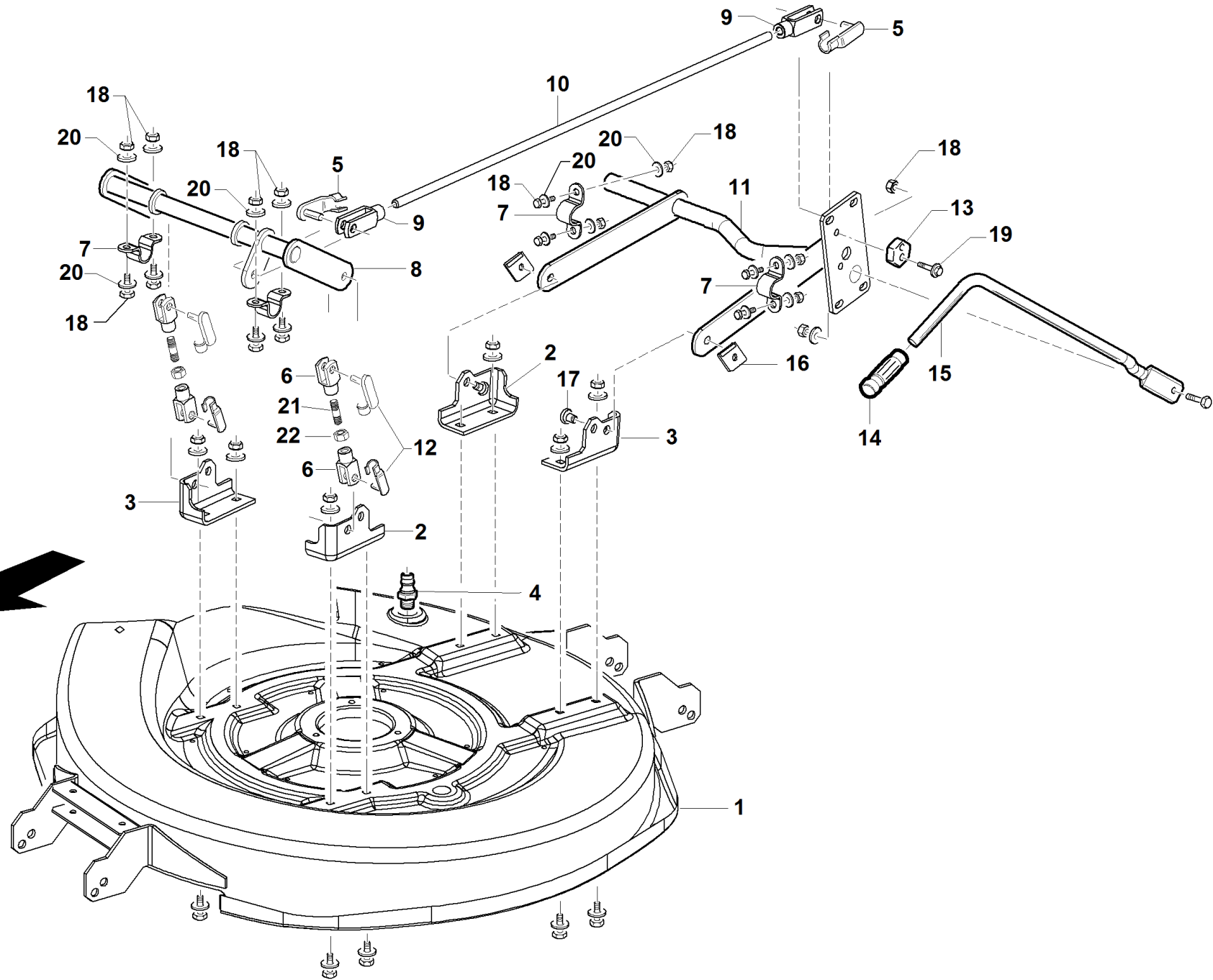
**S/N**

→ **0907001 ÷ 0912057** ←

**REF.06 - 00555501706**

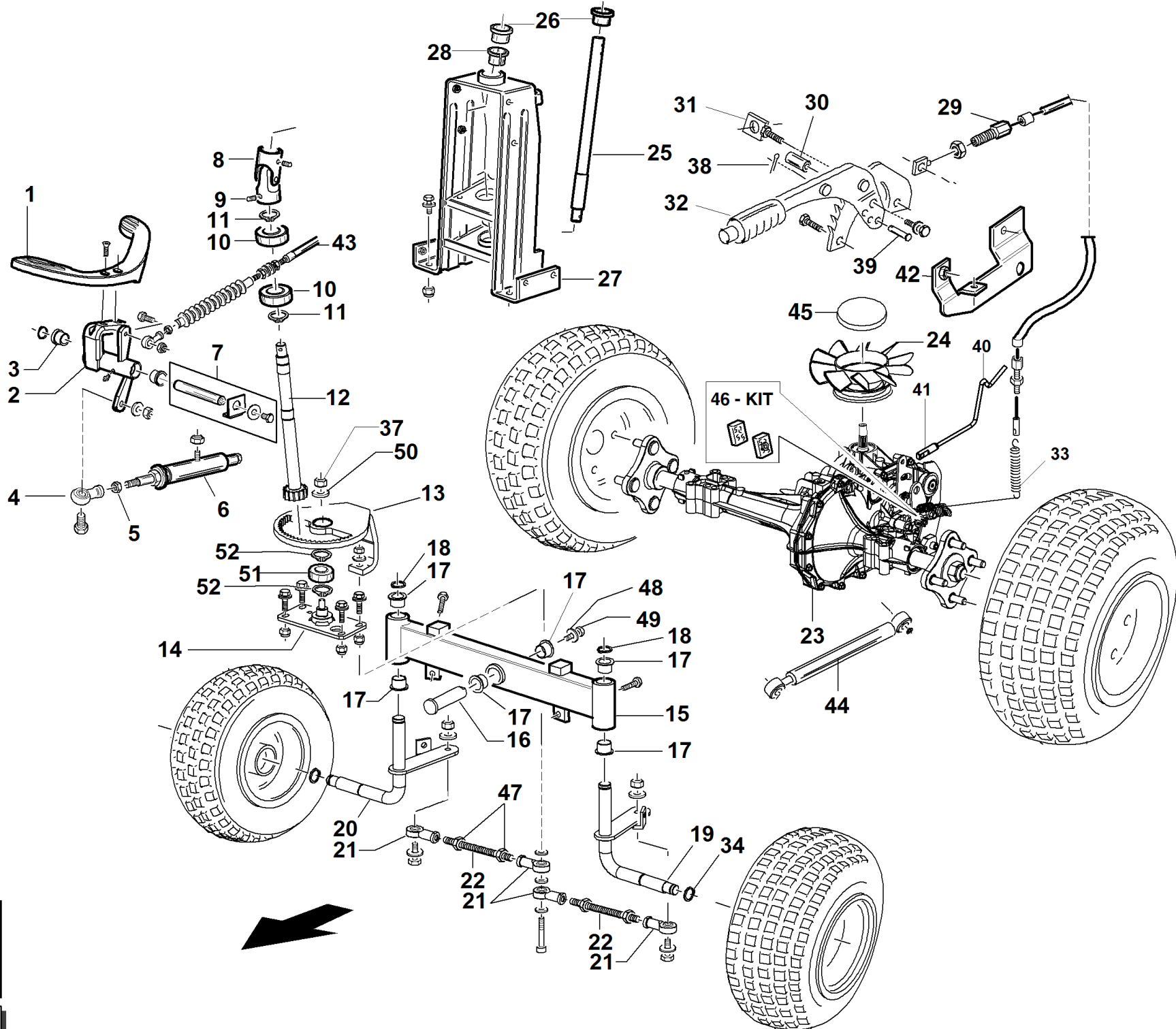
#	P/N	DESCRIPTION	GTM
1	89001110002	TUNNEL	
2	89001410001	TUNNEL DOOR	
3	00111990128	RELEASE CLOSER	
4	00111990129	CLOSER BLOCK	
5	89001220012	TUNNEL DOOR PIN	
6	89001220011	TUNNEL DOOR HING	
7	89001380000	TIGHTENER SUPPORT	
8	89001000043	DOOR SPRING	
9	00111970082	NO SCALPING WHEEL	
10	00111300093	SCREW M12X200 8.8	
11	00111900001	KEY A 6X6X25 UNI 6604	
13	89001220010	BLADE BLOCK WASHER	
14	89001220015	BLADE SUPPORT HUB	
15	89001220013	BLADES PAINTED SUPPORT	
16	91100200000	COUPLE LEFT REENTERING BLADE L=175	
17	95598440000	GTM BLADE SCREW	
18	95598450000	GTM BLADES KIT (FOR SPARE PARTS USE)	
19	00111500004	WASHER 15,2X28X2.5 UNI 6592TE	
20	95001000054	BRAKE RECOVERY SPRING	
21	89001220002	BEARING PROTECTION DISC	
22	00777100007	KOYO BEARING 6305 2RS	
23	89001000006	BLADE SUPPORT	
24	89001000011	PULLEY	
25	92001000016	BELT TIGHTENER	
26	89001220001	BELT ANGULAR	
27	00777100032	KOYO BEARING 6003 2RS 17X35X10	
28	00111650005	SNAP RING D.35 I	
29	00111980041	"BELT ""OPTIBELT"" SPA 1232 SK"	
30	95097000002	SPACER 14,5X32X4	
31	89001220005	ROTATION PIN FOR TIGHTENER	
32	89001370000	TIGHTENER ROTATION BRACKET	
33	00111650014	SNAP RING D.17 E	
34	00111530006	BUSHING 15X17X12	
35	89001220016	SPACER Ø35XØ25.2X10	
36	00111150019	NUT M14 UNI 5589	
37	89001220003	SPACER Ø35xØ26x47 ZNT	
40	00111000071	SELF LOCKING NUT M8 UNI 7473	
41	00111000061	WASHER 8.4X24X2	
42	00111650036	SNAP RING E X Ø15	
43	00111340006		
44	00111000087	WASHER P.8,4X15.6X1,5	
45	00111450020	SCREW M8 X 16	
46	00111000061	WASHER 8.4X24X2	
47	00111340005		
48	00111250008	SELF LOCKING NUT M12 UNI 7473	
49	00111000166	SELF LOCKING NUT M6 UNI 7473	
50	00111000071	SELF LOCKING NUT M8 UNI 7473	
51	00111500004	WASHER 15,2X28X2.5 UNI 6592TE	
52	00111650007	SNAP RING D.8 E	
53	00111000137	SCREW TE M6X25	
54	95597020000		
55	00111050008	SPRING WASHER Ø40XØ14.2X2	
56	00111000121	SCREW TE M14X1,5X3 SX	
57	00111000077	SELF BLO. SCREW M14	

**GTM**



#	P/N	DESCRIPTION	GTM
1	89001250000	GTM MOWER DECK	
2	89001220008	DECK ATTACHMENT LEFT	
3	89001220009	DECK ATTACHMENT RIGHT	
4	00111970207	RAPID ATTACHMENT W/METAL RING	
5	00777180005	FORC CLIPS Ø10	
6	00111000206	FORK G 10X20 1A DIN 71752	
7	89001000003	BRACKET	
8	89001170000	DECK FONT LIFTING FORK	
9	00777180004	FORK Ø10X40 (LONG)	
10	89001000015	ADJUSTEMENT ROD	
11	89001120000	DECK REAR LIFTING FORK	
12	00111000207	CLIPS PM 10x20 1	
13	89001000021	REGULATION HEXAGON	
14	00111970205	HANDGRIP	
15	89001140000	MOWER LIFTING LEVEL COMPL.	
16	00111920001	CLIP	
17	89001000034	PIN	
18	00111000095	SELF BLO. NUT M8	
19	00111450001	SCREW WASHER M8X25	
20	00111000061	WASHER 8.4X24X2	
21	00111320006	STUD BOLT M10X35 10.9 UNI 5911	
22	00111150022	NUT M10 UNI EN 24035	

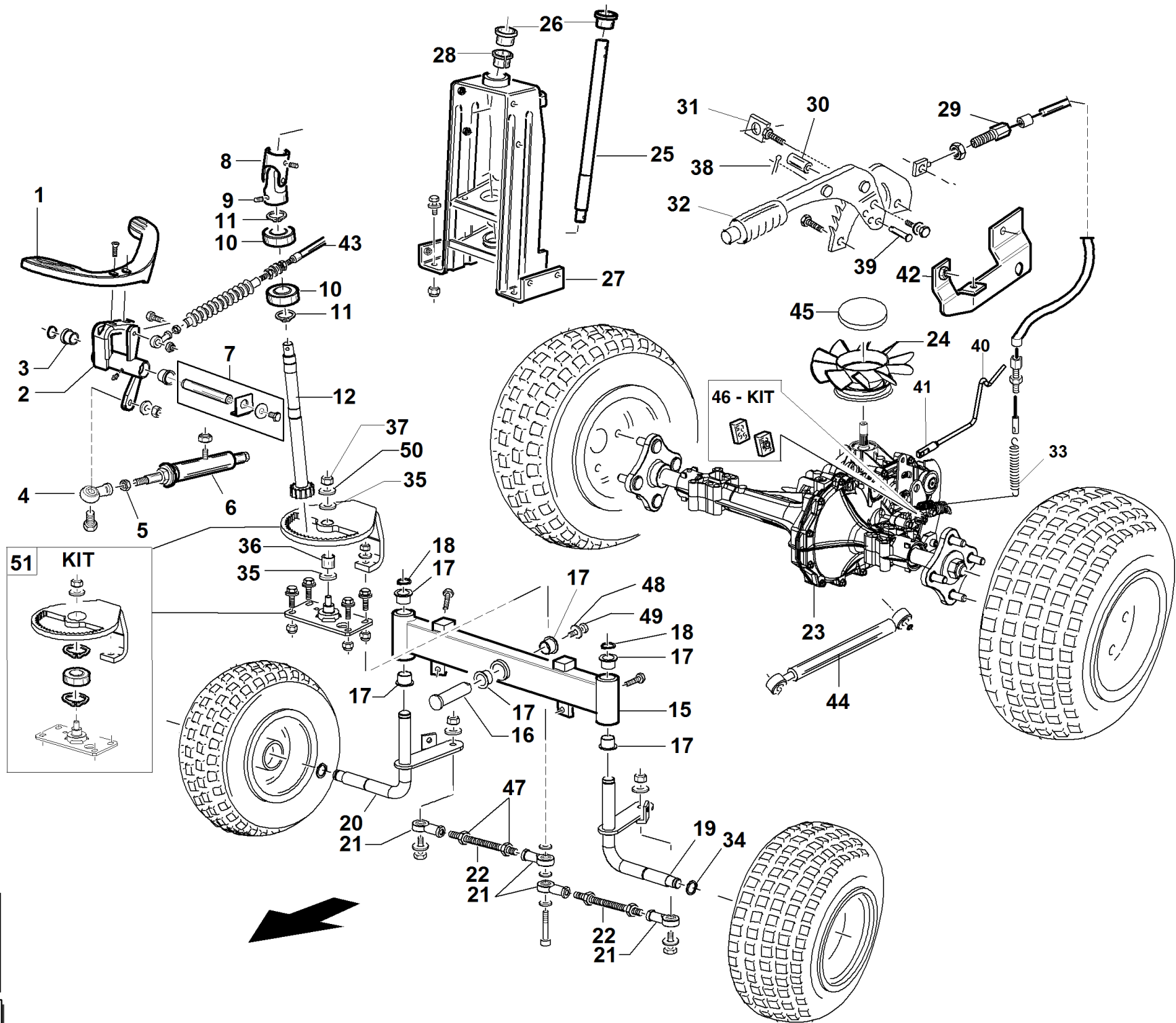




**S/N**  
→1301027

**REF.08 - 00555501717**

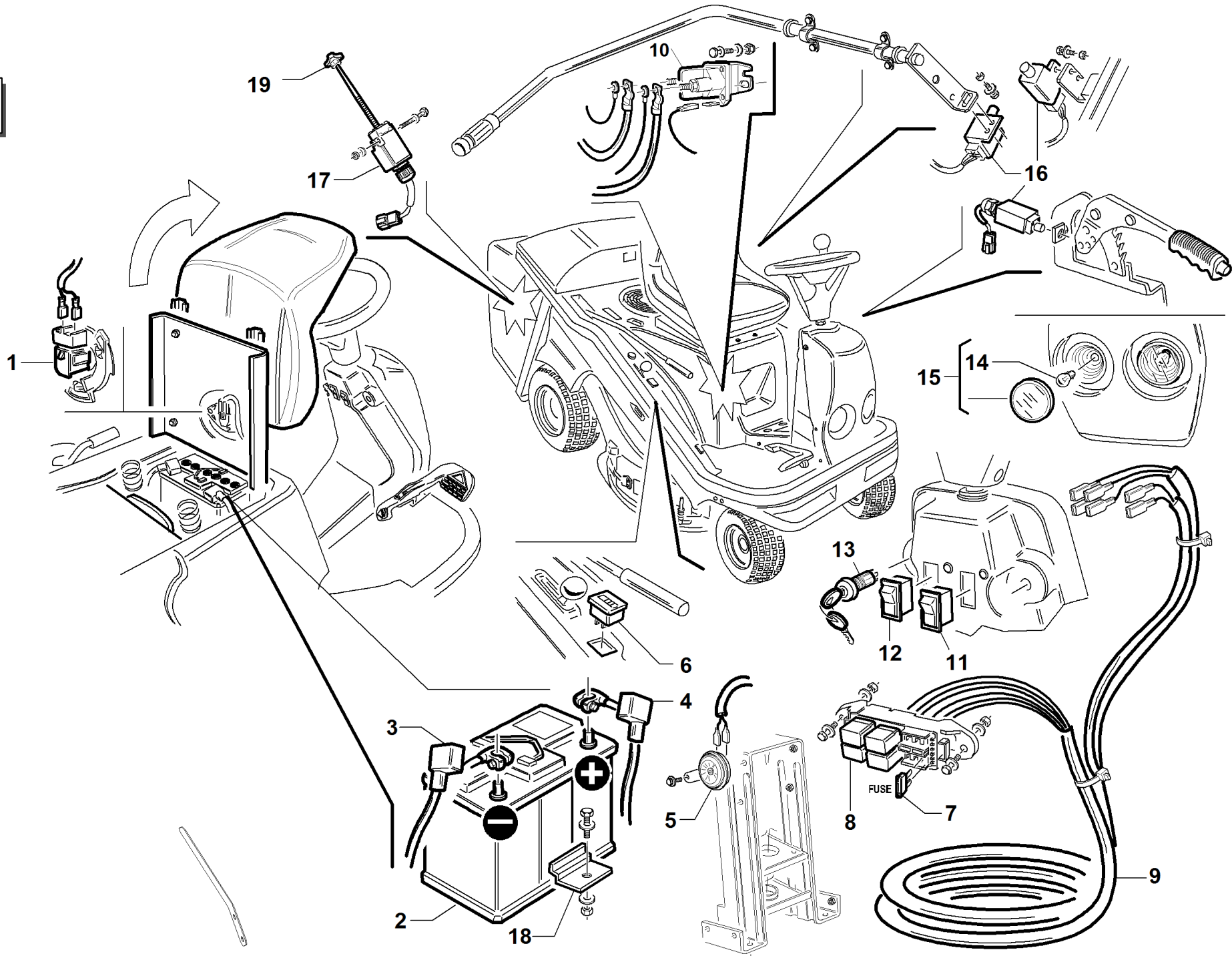
#	P/N	DESCRIPTION	GTM
1	95533000003	ACCELERATOR PEDAL	
2	89001320000	ACCELERATOR PEDAL SUPP. COMPL.	
3	95001000060	BRASS BUSHING	
4	00777200001	ROUND JOINT AS 13 M8	
5	00111000082	NUT M8	
6	95042230000	COMPLETE MECC. CYLINDER	
7	95597270000	PEDAL PIN KIT	
8	00777200002	STEERING JOINT	
9	00111000147	PIN EL D.5X30	
10	00777100008	BEARING 6204 2RS 20x47x14	
11	00111000057	SNAP RING D.20 E	
12	89001160000	STEERING SHAFT	
13	89001530000	COMPLETE STEERING RACK	
14	89001350000	SUPPORT	
15	89001000018	FRONT AXLE	
16	91007000003	OVERTURNING PIN L=48	
17	00111990017	BUSHING WITH EDGE TFF 20/16,5	
18	00111650013	SNAP RING D.20X1,5 E	
19	89001180000	LEFT WHEEL SUPPORT	
20	89001190000	RIGHT WHEEL SUPPORT	
21	00777200027	ARTICULATION HEAD CF10 M10	
22	89001000014	TIE ROD STEERING	
23	89001000001	COMPACT AXLE	
24	89001000002	PLLEY WITH TRANSAXLE FAN	
25	89001000054		
26	95500000029	BUSHING STEERING	
27	94500260000	STEERING COLUMN	
28	00111990017	BUSHING WITH EDGE TFF 20/16,5	
29	89001000029	PARK BRAKE CABLE	
30	95002000004	HOPPER STOP PIN	
31	89001000013	FULL HOPPER MICROSWITCH SUPPORT	
32	00111990015	HAND BRAKE LEVER	
33	89001000030	TRACTION SPRING De=14.5 L=73	
34	00111650034	SNAP RING D.17 E	
37	00111250002	SELF LOCKING NUT M12 UNI 7474	
38	00111750006	SPLIT PIN 1,6X20	
39	00777180006	PIN Ø8 L=20 UNI 1710	
40	89001000028	BY-PASS LEVER	
41	89001000039	EYELET M6 Ø6.7	
42	PZ95500390000	HAND BRAKE SUPPORT	
43	89001000012	FEED CABLE L=1405 C=60	
44	00777600177	DAMPER 400N (104 mm/s)	
45	00111970211	"ROUND PLAN CAP Ø3""	
46	95598620000	GTM/GSM AXLE BRAKE PAD	
47	00111150022	NUT M10 UNI EN 24035	
48	00111000061	WASHER 8.4X24X2	
49	00111000081	HEXAGON SCREW M8x16 UNI 5739	
50	00111000105	WASHER P.13X24X2,5 UNI 6592	
51	00777100006	BEARING 6004 2RS 20X42X12	
52	00111650002	SNAP RING D.42 I UNI 7437	



**S/N**  
→ 0907001 ÷ 1212014 ←

**REF.08 - 00555501708**

#	P/N	DESCRIPTION	GTM
1	95533000003	ACCELERATOR PEDAL	
2	89001320000	ACCELERATOR PEDAL SUPP. COMPL.	
3	95001000060	BRASS BUSHING	
4	00777200001	ROUND JOINT AS 13 M8	
5	00111000082	NUT M8	
6	95042230000	COMPLETE MECC. CYLINDER	
7	95597270000	PEDAL PIN KIT	
8	00777200002	STEERING JOINT	
9	00111000147	PIN EL D.5X30	
10	00777100008	BEARING 6204 2RS 20x47x14	
11	00111000057	SNAP RING D.20 E	
12	89001160000	STEERING SHAFT	
15	89001000018	FRONT AXLE	
16	91007000003	OVERTURNING PIN L=48	
17	00111990017	BUSHING WITH EDGE TFF 20/16,5	
18	00111650013	SNAP RING D.20X1,5 E	
19	89001180000	LEFT WHEEL SUPPORT	
20	89001190000	RIGHT WHEEL SUPPORT	
21	00777200027	ARTICULATION HEAD CF10 M10	
22	89001000014	TIE ROD STEERING	
23	89001000001	COMPACT AXLE	
24	89001000002	PLLEY WITH TRANSAXLE FAN	
25	89001000054		
26	95500000029	BUSHING STEERING	
27	94500260000	STEERING COLUMN	
28	00111990017	BUSHING WITH EDGE TFF 20/16,5	
29	89001000029	PARK BRAKE CABLE	
30	95002000004	HOPPER STOP PIN	
31	89001000013	FULL HOPPER MICROSWITCH SUPPORT	
32	00111990015	HAND BRAKE LEVER	
33	89001000030	TRACTION SPRING De=14.5 L=73	
34	00111650034	SNAP RING D.17 E	
35	00111530012	THRUST RING FRIMET TFW 20/15	
36	00111530005	BUSHING FRIMET 18 20 10	
37	00111250002	SELF LOCKING NUT M12 UNI 7474	
38	00111750006	SPLIT PIN 1,6X20	
39	00777180006	PIN Ø8 L=20 UNI 1710	
40	89001000028	BY-PASS LEVER	
41	89001000039	EYELET M6 Ø6.7	
42	PZ95500390000	HAND BRAKE SUPPORT	
43	89001000012	FEED CABLE L=1405 C=60	
44	00777600177	DAMPER 400N (104 mm/s)	
45	00111970211	"ROUND PLAN CAP Ø3""	
46	95598620000	GTM/GSM AXLE BRAKE PAD	
47	00111150022	NUT M10 UNI EN 24035	
48	00111000061	WASHER 8.4X24X2	
49	00111000081	HEXAGON SCREW M8x16 UNI 5739	
50	00111550005	WASHER M10	
51	95598820000	GTM STEERING RACK KIT	



#

P/N

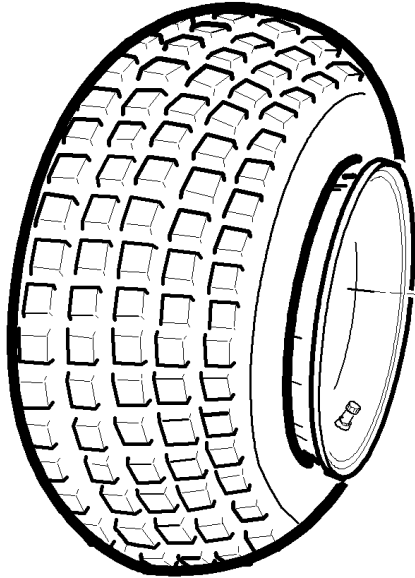
DESCRIPTION

GTM

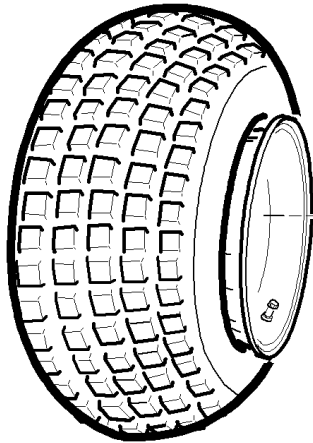
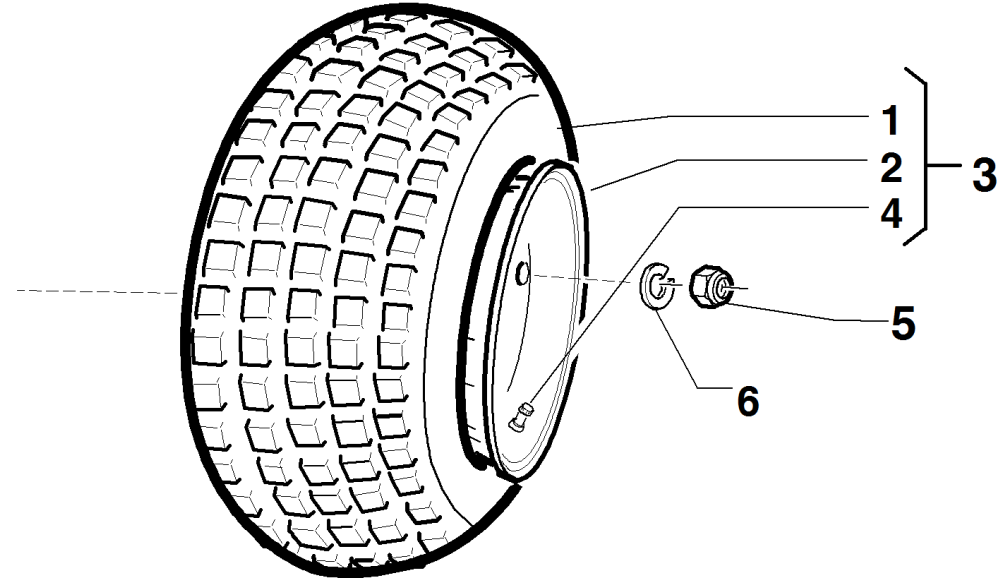
REF. 09 - 00555501709

1	00777800216	SEAT MICRO SWITCH		
2	95599000036	BATTERY 12V 43A		
3	89001500004	NEGATIVE BATTERY CABLE		
4	89001500003	POSITIVE BATTERY CABLE		
5	00777800022	HORN 12V		
6	00777800219	HOUR METER		
7	00777800214	"MICRO BLADE FUSE 20A		
8	00777800059	MICRO RELAYS 12V		
9	89001500001	GTM155/160 CENTRAL HARNESS		
10	00777800218	RELAIS B&S		
11	00777800221	CLUTCH SWITCH		
12	00777800220	LAMPS SWITCH		
13	00777800222	START SWITCH		
14	95599000021	LAMP WITH SUPPORT		
15	00777800137	PROJECTOR		
16	00777800223	FULL HOPPER MICRO SWITCH		
17	91002140007	MULTI-PURPOSE WIRED MICRO SWITCH		
18	94500000079	BRACKET FIXING BATTERY		

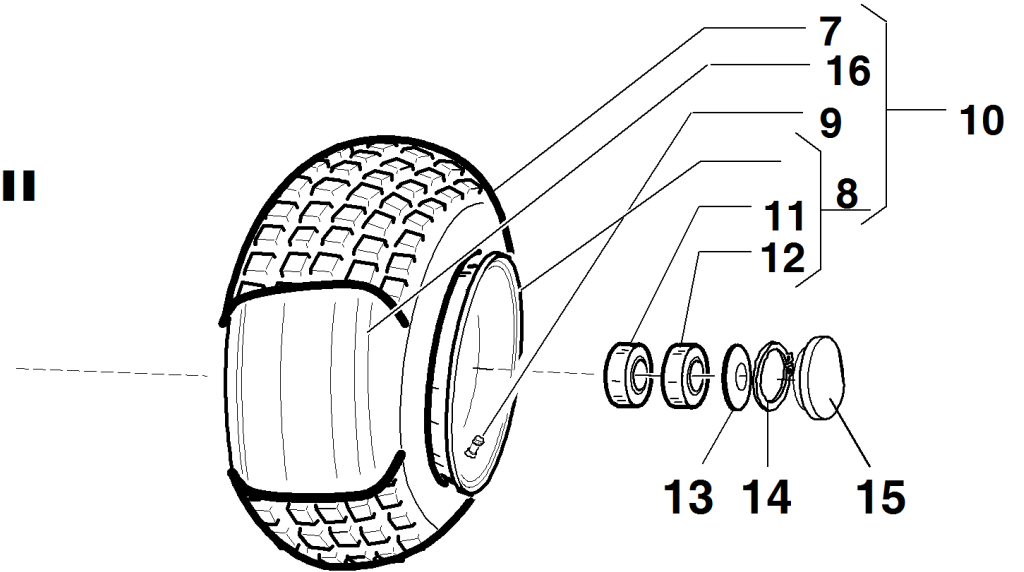
**GTM**



**16"**



**13"**

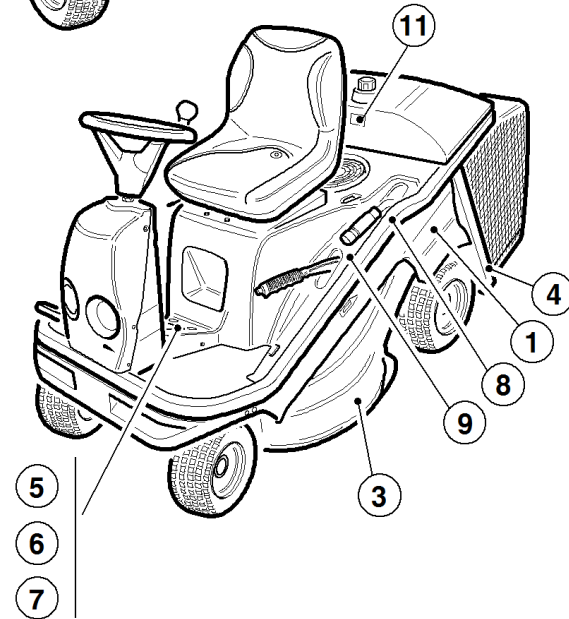
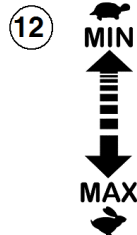
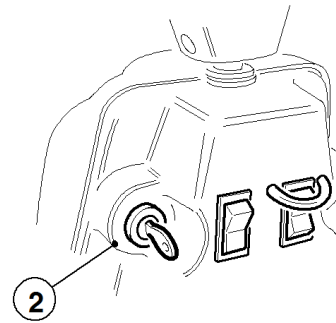
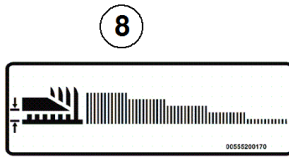
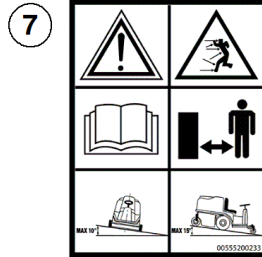
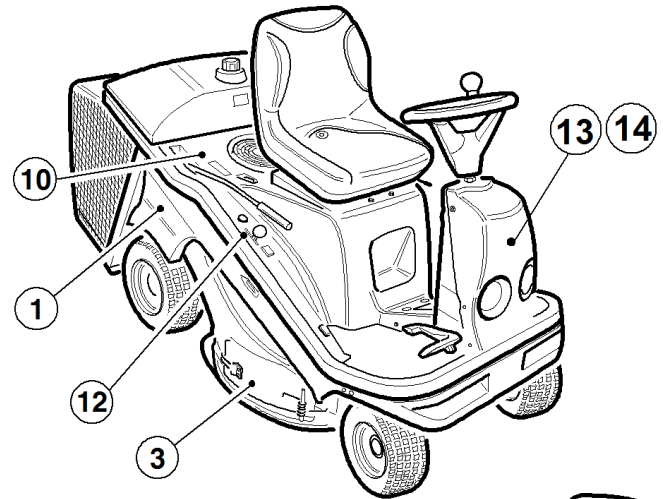
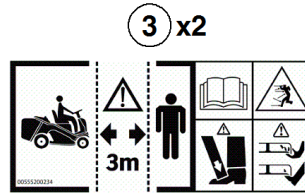


#	P/N	DESCRIPTION	GTM
---	-----	-------------	-----

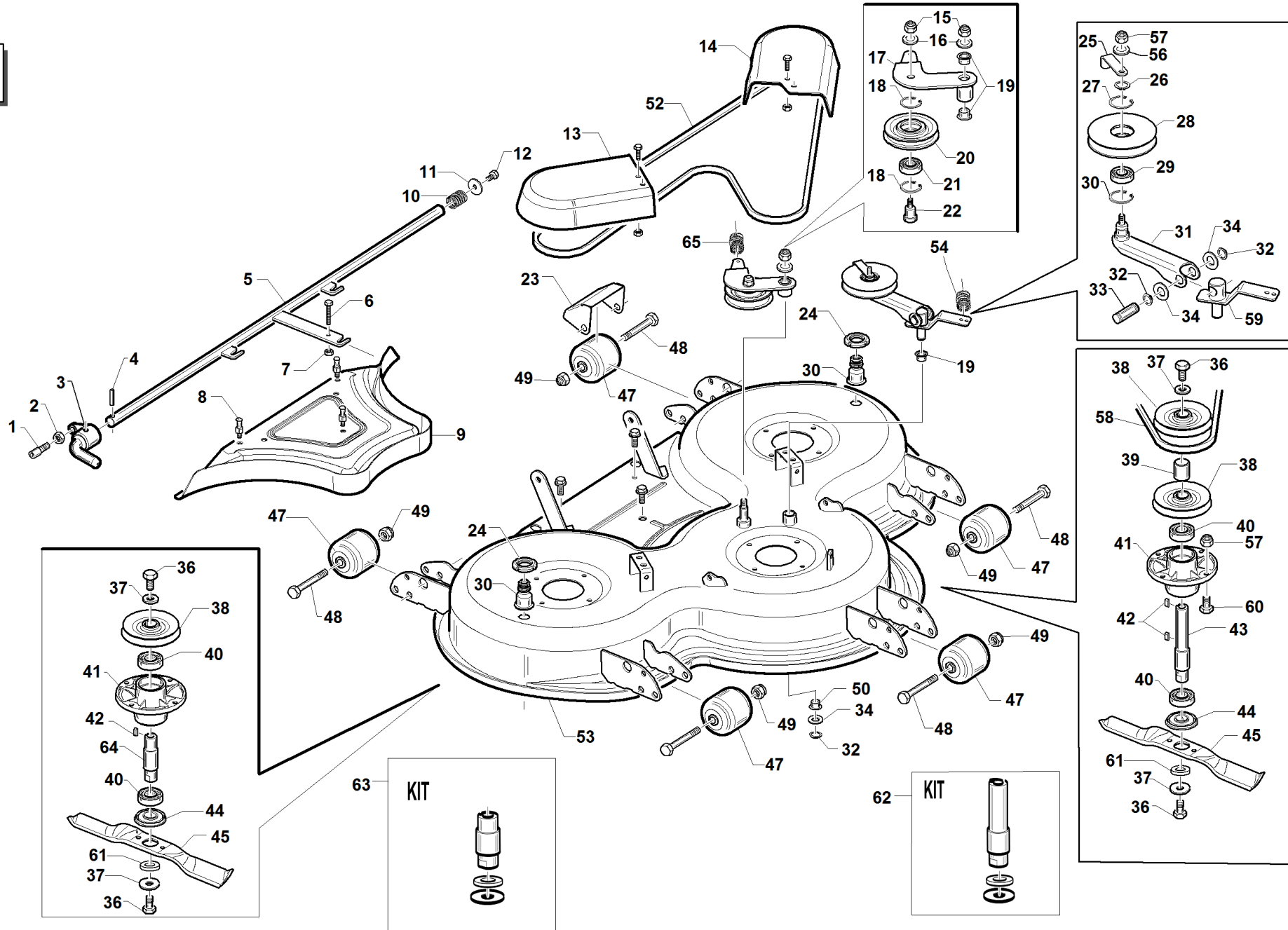
1	00111940029	"KING TYRE 16X7.50-8	
2	89001240001	"WHEEL RIM 5.75x8""	
3	89001240000	WHEEL 16x7.50-8	
4	00111930006	TUBELESS VALVE TR413	
5	00111250009	SELF BL. NUT M12X1.5	
6	00111550004	ELASTIC WASHER M12	
7	00111940014	TYRE 13X5.00-6	
8	92003110001	"WHEEL RIM 3.75X6""	
9	00111930006	TUBELESS VALVE TR413	
10	92003110000	WHEEL 13X5.00-6	
11	00777100008	BEARING 6204 2RS 20x47x14	
12	00777100028	KOYO BEARING 6303 2RS	
13	95303110004	SPACER D14.5XD35X3	
14	00111650013	SNAP RING D.20X1,5 E	
15	00111970214		
16	00111930001	"INNER TUBE 13x5.00X6"" "	



**GTM**



#	P/N	DESCRIPTION	GTM
1	00555200259		
2	00555200013	TRANSFER PRINTING START	
3	00555200234	TRANSFER PRINTING GTM DECK	
4	00555200239	TR.PRINTING BY-PASS	
5	00555200130	TRANSFER PRINTING EYE PROTECTION	
6	00555200129	TRANSFER PRINT.HEARING PROTEC.	
7	00555200233	DANGER TRANSFER PRINTING GTM	
8	00555200170	CUTTING HEIGHT ADJUSTMENT DECAL	
9	00555200256		
10	00555200255		
11	00555200163	""PETROL"" FUEL TRANSFER PRINTING"	
12	00555200254		
13	00555200231	"TRANSFER PRINTING ""GTM 155"""	
14	00555200230	"TRANSFER PRINTING ""GTM 160"""	



#	P/N	DESCRIPTION	GSM	REF. 12 - 0055501714
1	95220110004	CAMSHAFT SELCTOR SCREW		
2	00111150012	NUT M12 UNI 5587		
3	95220110003	CAM SELECTOR WITH HANDLE		
4	00111700012	ELASTIC PIN 8X36		
5	88100100000			
6	00111300011	SCREW TE M6X20		
7	00111000155	NUT M6		
8	88100000001			
9	88001110000			
10	95220110005	SPRING D=20.7 L=51.5		
11	00111000132	WASHER P. 8,4X32X2,5 ZNT		
12	00111000081	HEXAGON SCREW M8x16 UNI 5739		
13	88001000013			
14	88001000012			
15	00111250004	SELF LOCKING NUT M10 UNI 7473		
16	00111000015	WASHER D.10,5X21X2		
17	88001180000			
18	00111650005	SNAP RING D.35 I		
19	00111530006	BUSHING 15X17X12		
20	94500000011	HYDROSTATIC TIGHTENER		
21	00777100005	KOYO BEARING 6202 2RS		
22	88001000008			
23	88001000018			
24	00111000189	METAL RING 20X1		
25	89001220001	BELT ANGULAR		
26	00111650014	SNAP RING D.17 E		
27	00111650005	SNAP RING D.35 I		
28	92001000016	BELT TIGHTENER		
29	00777100007	KOYO BEARING 6305 2RS		
30	88001000019			
31	88001150000			
32	00111650004	SNAP RING D.15 E		
33	89001220005	ROTATION PIN FOR TIGHTENER		
34	00111500024	WASHER		
35	00111650004	SNAP RING D.15 E		
36	00111000212	"M14x1,5 SCREW		
37	00111550011			
38	88001000014			
39	88001000011			
40	00777100001	KOYO BEARING 6205 2RS		
41	89001000055			
42	00111900006	TONGUE A 6X6X18		
43	88001000015			
44	88001000010	BLADE HUB		
45	88001000005	CUTTING BLADE		
47	00111970082	NO SCALPING WHEEL		
48	00111300063	HEX SOCK. HEAD CAP SCREW M12X115 UNI5737		
49	00111250002	SELF LOCKING NUT M12 UNI 7474		
50	00111530006	BUSHING 15X17X12		
52	00111980044	OPTIBELT VB A/13 2136Li BELT		
53	88001100000			
54	95001000054	BRAKE RECOVERY SPRING		
55	88001000020	BELT-TIGHTENER SPRING		
56	00111000087	WASHER P.8,4X15.6X1,5		
57	00111000071	SELF LOCKING NUT M8 UNI 7473		
58	00111980043	OPTIBELT SPA 1482 BELT		
59	TS88001160000			
60	00111340006			
61	00111000149	WASHER P.14X48X4		

**#****P/N****DESCRIPTION****GSM****REF. 12 - 00555501714**

62

95597080000

63

95597090000

64

88001000009

[www.gianniferrari.com](http://www.gianniferrari.com)

*Advanced Groundcare Solutions™*

**COMPANY WITH QUALITY  
MANAGEMENT SYSTEM CERTIFIED BY DNV  
= UNI EN ISO 9001:2008 =**



**Gianni  
Ferrari**

**GIANNI FERRARI S.r.l.**

Via Vespucci ,53 (z.ind. Ranaro)  
42046 Reggiolo (Reggio Emilia) Italy  
Tel. +39.0522.973697 - Fax +39.0522.973707  
e-mail: [info@gianniferrari.com](mailto:info@gianniferrari.com)



**OFFICINE BIEFFEBI S.p.A.**

Via dell'Artigianato ,7  
46023 Gonzaga (Mantova) Italy  
Tel. +39.0376.52641 - Fax +39.0376.588270  
e-mail: [bieffebi@gianniferrari.com](mailto:bieffebi@gianniferrari.com)